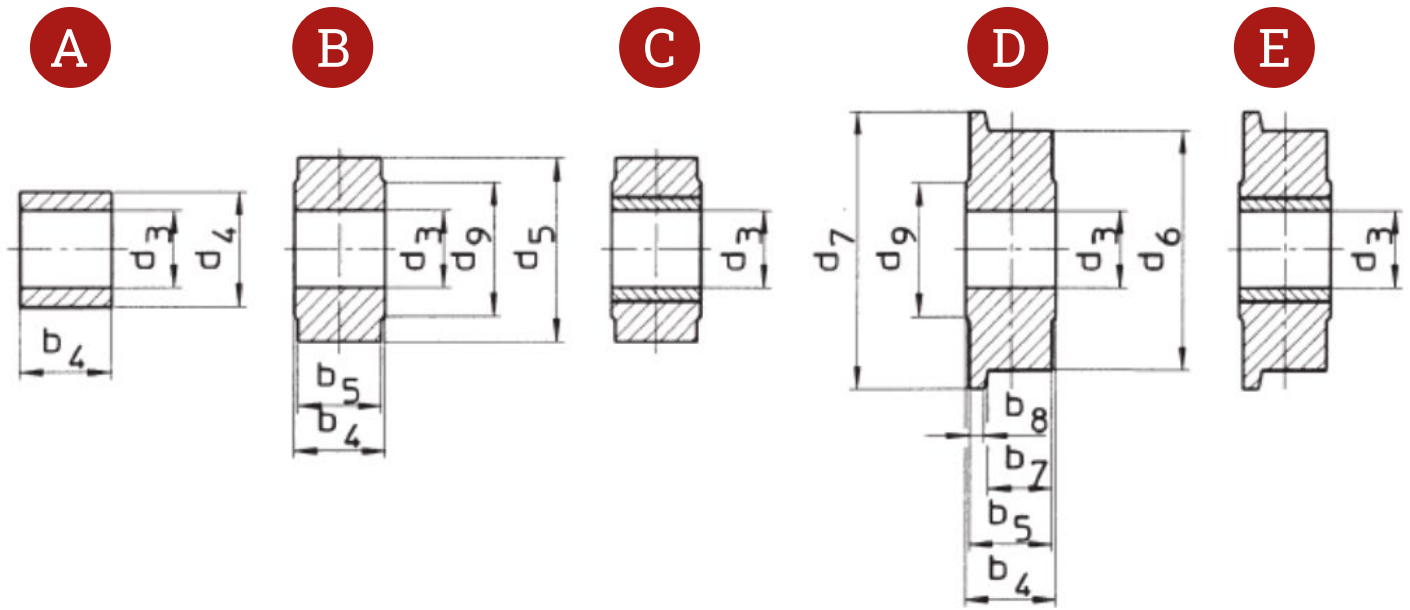


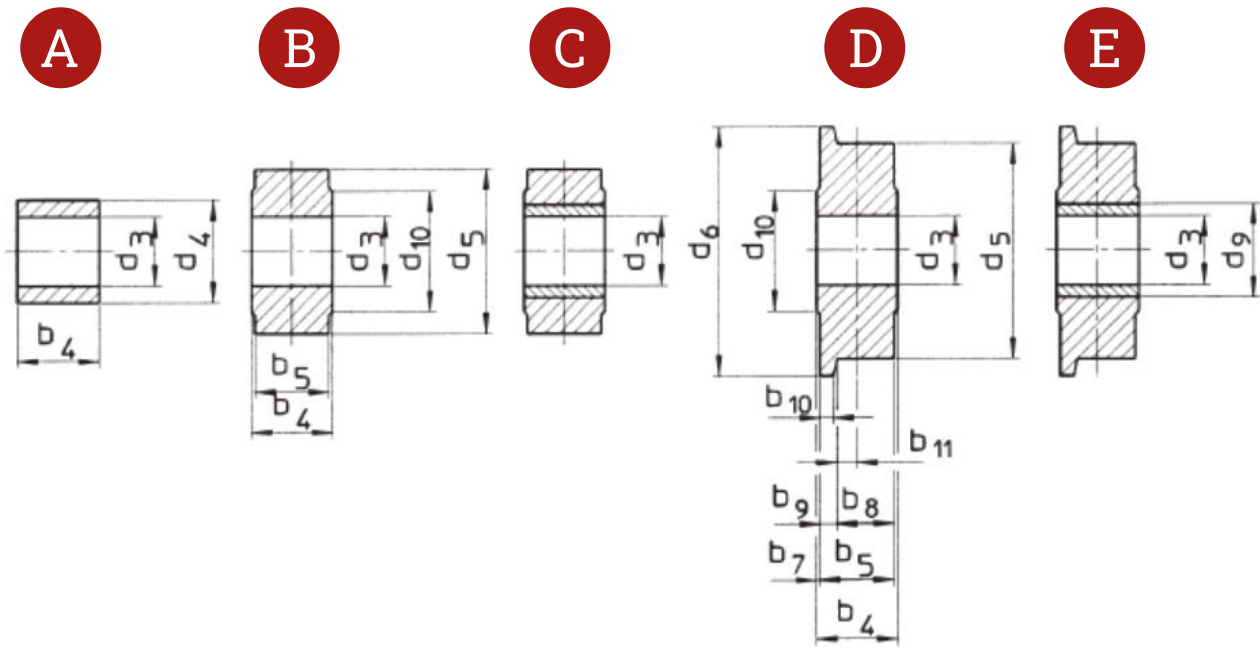
RULLI DIN 8166/8169 PER CATENE DI TRASPORTO DIN 8165/8167/8168

RULLI PER CATENE DI TRASPORTO DIN 8165

DIN 8166



DIN - CATENA N.	LARGHEZZA mm.				DIAMETRO mm.						PESO kg.	
	b_4 max.	b_5 max.	b_7 max.	b_8 max.	d_3 max.	d_4 max.	d_5 max.	d_6 max.	d_7 max.	d_9 max.	Rullo	
SA - FV 40	17	16	12,0	3,0	15,1	20	32	40	48	26	0,081	0,167
SA - FV 63	21	20	15,0	4,0	18,1	26	40	50	60	30	0,160	0,322
SA - FV 90	24	23	18,0	4,0	20,1	30	48	63	73	35	0,274	0,579
SA - FV112	29	28	21,5	5,0	22,2	32	55	72	87	40	0,444	0,946
SA - FV140	34	32	25,0	5,5	26,2	36	60	80	95	45	0,591	1,349
SA - FV180	44	42	34,0	6,5	30,2	42	70	100	120	50	1,052	2,732
SA - FV250	54	50	40,0	8,0	36,2	50	80	125	145	60	1,625	5,259
SA - FV315	64	60	48,0	10,0	42,2	60	90	140	170	70	2,415	7,950
SA - FV400	68	64	52,0	10,0	44,2	60	100	150	185	70	3,248	9,732
SA - FV500	78	72	57,0	12,0	50,2	70	110	160	195	80	4,396	12,733
SA - FV630	88	80	62,0	14,0	56,2	80	120	170	210	100	5,882	16,575



DIN - CATENA N.	LARGHEZZA mm.							DIAMETRO mm.					PESO kg.	
	b ₄	b ₅	b ₇	b ₈	b ₉	b ₁₀	b ₁₁	d ₃ C11	d ₄	d ₅	d ₆	d ₉ max.	Rullo	
SA-M 20	15	14	0,5	11,0	3,0	2,5	4,0	9,0	12,5	25	30	---	0,048	0,053
SA-M 28	17	16	0,5	12,5	3,5	3,0	4,5	10,0	15,0	30	36		0,081	0,089
SA-M 40	19	18	0,5	13,5	4,5	3,5	4,5	12,5	18,0	36	42		0,129	0,142
SA-M 56	23	22	0,5	17,0	5,0	4,0	6,0	15,0	21,0	42	50		0,213	0,234
SA-M 80	27	26	0,5	20,0	6,0	5,0	7,0	18,0	25,0	50	60		0,354	0,392
SA-M 112	31	29	1,0	22,0	7,0	6,0	7,5	21,0	30,0	60	70	30	0,579	0,632
SA-M 160	36	34	1,0	25,5	8,5	7,0	8,5	25,0	36,0	70	85	34	0,919	1,032
SA-M 224	42	40	1,0	30,0	10,0	8,0	10,0	30,0	42,0	85	100	40	1,593	1,753
SA-M 315	47	45	1,0	33,0	12,0	10,0	10,5	36,0	50,0	100	120	46	2,443	2,745
SA-M 450	55	51	2,0	37,0	14,0	12,0	11,5	42,0	60,0	120	140	54	4,051	4,471
SA-M 630	65	61	2,0	45,0	16,0	13,5	14,5	50,0	70,0	140	170	65	6,548	7,389
SA-M 900	76	70	3,0	52,0	18,0	15,0	17,0	60,0	85,0	170	210	75	11,233	12,755
SA-MC 28	19	18	0,5	13,5	4,5	3,5	4,5	17,5	25,0	36	42		0,112	0,124
SA-MC 56	23	22	0,5	17,0	5,0	4,0	6,0	21,0	30,0	50	60		0,284	0,315
SA-MC 112	31	29	1,0	22,0	7,0	6,0	7,5	29,0	42,0	70	85	38	0,746	0,837
SA-MC 224	42	40	1,0	30,0	10,0	8,0	10,0	41,0	60,0	100	120	52	2,091	2,339